

ROTOR SHEET DISPENSER

The Rotor sheet dispenser cuts intermediate sheets from reel on demand.

LESS RISK By More Stability

LESS COST By More Efficiency

EXTRA SALES By More Visibility

**ROBUST, COMPACT, STAND ALONE
MACHINE - EASY TO INTEGRATE**



TECHNICAL DATA

Reel width: up to 800 or up to 1.200 mm

Max. reel diameter: 1000 mm

Core: 100 mm

Position accuracy: ± 15 mm

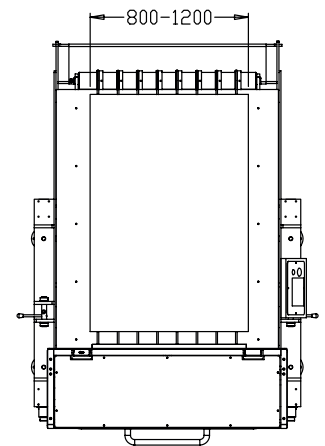
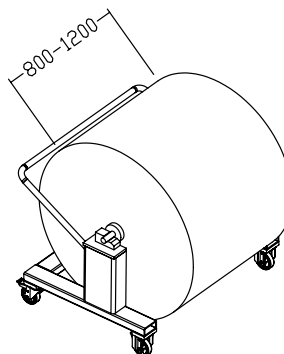
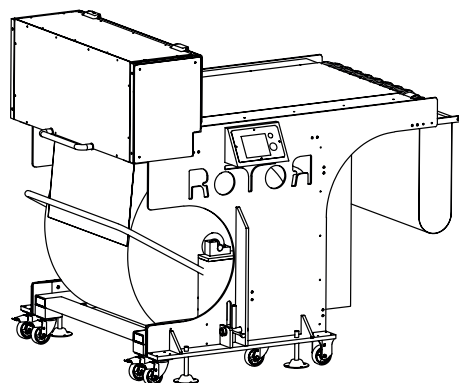
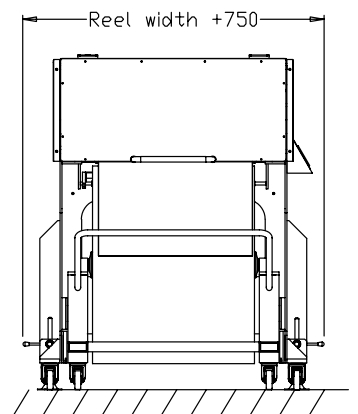
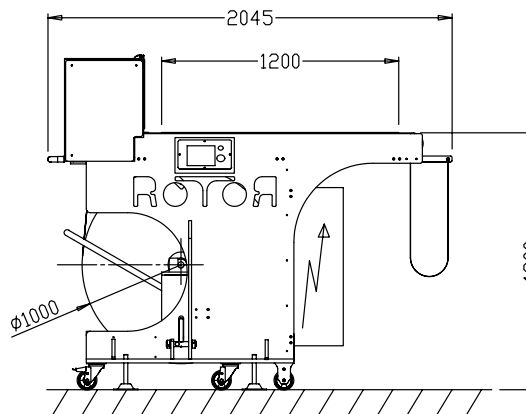
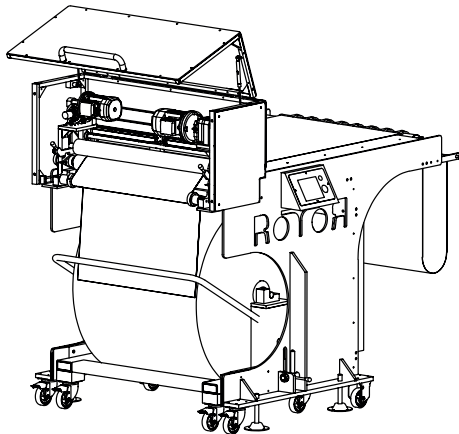
Speed: up to 8 sheets/min

PLC: S7 1200

Display: Proface 3,5 colours

Installed power: 1 KW

Voltage: 400 V 50 Hz 3 Phase



REDUCED PRODUCTION COST

PRE-CUT SHEETS

Sucking up multiple sheets leads to productivity loss in palletising (Productivity loss > 1%)



ROTOR

Only one sheet to pick-up results in maximum reliability



Variable pick-up heights leads to slower speed (up to 4 sec more per cycle)



One fixed pick-up height results in maximum capacity (up to 25% speed increase)



IMPROVED FLEXIBILITY

PRE-CUT SHEETS

Storing multiple pre-cut sheet formats requires more warehouse capacity, leads to scrapping costs and increases order complexity

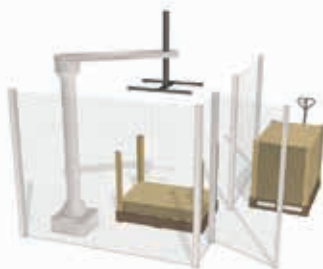


ROTOR

Cutting multiple sheet formats from one reel results in maximum flexibility and logistic optimisation (up to 90% less space compared to corrugated sheets)



Replenishing pre-cut sheets requires stopping the palletiser when entering the safety zone (up to 1 stop every 2 hours)



Loading of a new reel can be done outside the safety zone without stopping the palletiser



INCREASED SALES

UNBRANDED INTERLAYERS



PRINTED INTERLAYERS, CUT AND FOLDED ON ROTOR



Shopper research of 750 shoppers proves that qualitative brand communication can improve brand's likeability and perception

Qualitative brand communication on interlayers improves product's visibility by +11% and intent of purchase by +27%